

Product Model Number
WD2000S (406+)
Splendide 2000 S Laundry Center

Installation Location:

- Unit may be installed in recessed area, closet, or alcove.
- Air Space Requirements: 0" on sides and 1" in front and back (from the case). Additional installation spacing needs to be considered for easy installation, servicing, and compliance with state and federal codes.
- Floor must support at least 280 lbs. and be a solid, level surface.
- When locating in a towable trailer or watercraft, position the machine over the axles or midship where movement is at a minimum. Block unit in to prevent extreme movement.

Electrical Requirements:

- Machine Voltage/Amperage: 120V, 13 Amp, 60 Hz.
- Connection: 3-prong plug with 6' cord is provided with unit.
- Circuit/Protector: 3-wire single phase, 120V, 60Hz, AC, on separate 15-ampere circuit.

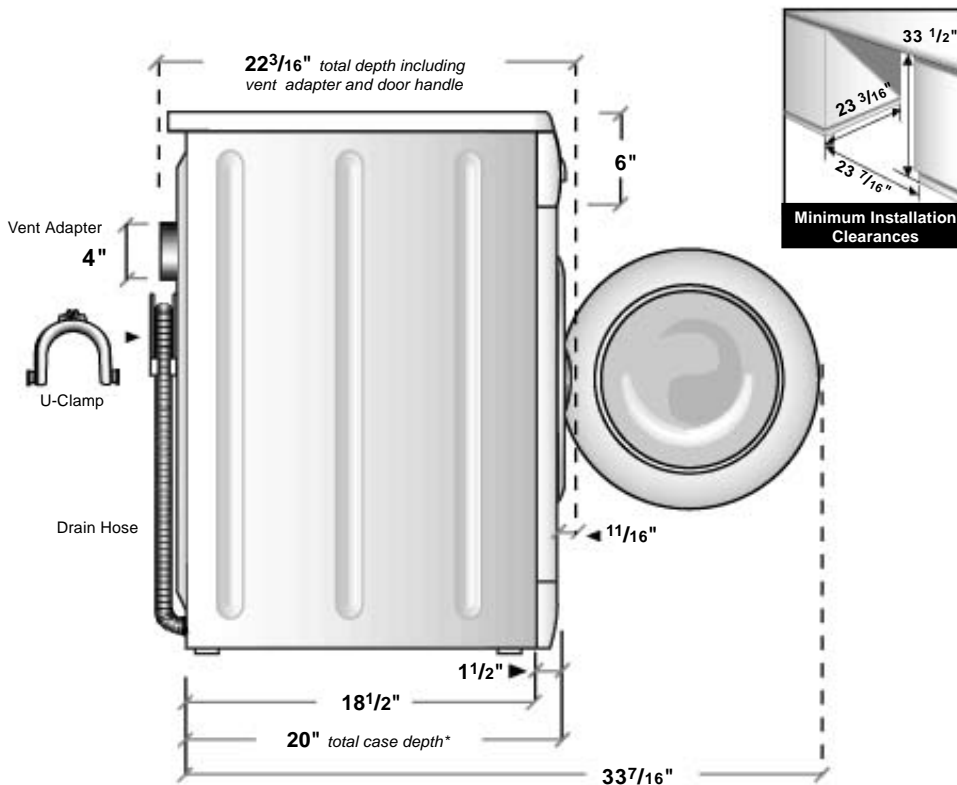
Standpipe Drain System/ Sink Draining Requirements:

- Needs a 1 1/4" (3.2 cm) minimum diameter standpipe with the minimum carry-away capacity of 7 gallons (26 liters) per minute. Top of standpipe must be at least 25" (62 cm) high and no higher than 34" (86 cm) from the bottom of the washer.
- Outlet end of drain hose (provided with the unit) must be at least 20" above bottom of washer. An air break must be available at the standpipe to avoid siphoning.
- Faucet Adapter Kit #154187104A is available to allow for direct faucet connection. See complete installation instruction on drain hose draining directly into sink, connection to dishwasher Wye fitting, and disposer/drain connection in owners manual.
- Optional Drain-A-Way™ Pans are available. Pan #PI-22 for cabinet or under-counter installations. Pan #P-24 for freestanding installations. Both are designed to be drain plumbed.

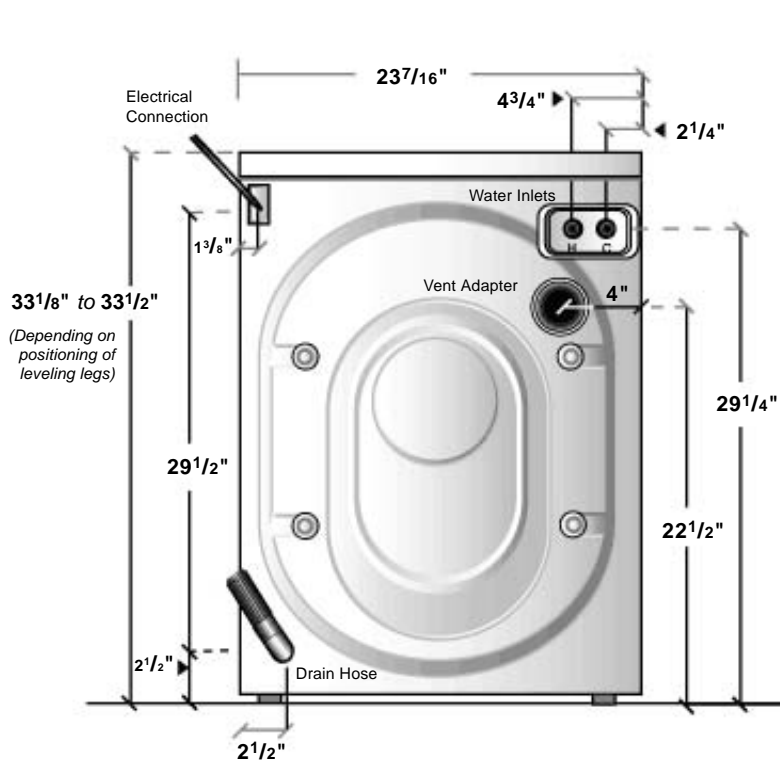
Exhaust Requirements:

- DO NOT exhaust dryer into a chimney, furnace, cold air duct, attic, crawl space, or another duct used for venting
- If cabinet door is installed, a minimum of 8 sq. inches should be provided. Louvered doors with equivalent air openings are acceptable. Allow clearance behind the door(s) to avoid rubbing between back of cabinet door(s) and front of unit control panel. Additional clearances for wall, door and floor moldings may be required.
- Rigid or flexible metallic duct required (NOT INCLUDED). Ducting must slope downwards and away from the machine.

Side View (not to scale)



Rear View (not to scale)



Included		
2 Water Inlet Hoses	Electrical Connection (6' cord length)	Flexible Drain Hose (5' length)

Sold Separately	
Outside Dryer Vent Cover and Flexible Metallic Duct	Splendide Custom Vent Kits VI-422, VI-D401 (A-AC)