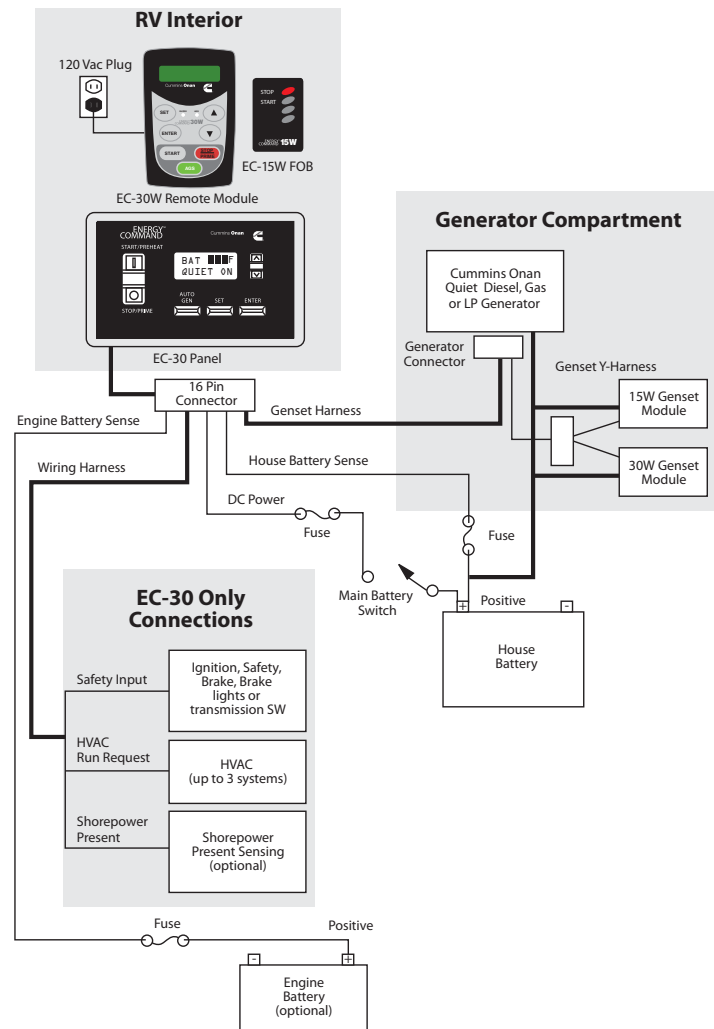


# Energy Command Wiring Detail



## EC-15W Part # 018-02015

Accessories:

- Spare Key Fob (#018-02150)
- Y Harness - Diesel Generators (#044-00088)
- Y Harness - QG2500/2800 Only (#044-00086)
- Y Harness - Other QG Generators (#044-00087)

## EC-20 Part # 018-02020

Accessories:

- Connector (#018-01052)
- Pins (#018-01074)
- 18" Pigtail (#044-00077)
- 25' Harness - QD Generators (#044-00076)
- 25' Harness - QG 7000, 6500, 5500, 4000, 3600 Generators (#044-00075)
- 25' Harness - QG 2800, 2500 Generators (#044-00074)

## EC-30 Part # 018-02030

Accessories:

- Connector (#018-01052)
- Pins (#018-01074)
- 18" Pigtail (#044-00077)
- 25' Harness - QD Generators (#044-00076)
- 25' Harness - QG 7000, 6500, 5500, 4000, 3600 Generators (#044-00075)
- 25' Harness - QG 2800, 2500 Generators (#044-00074)

## EC-30W Part # 018-03000

Accessories:

- Y Harness - Diesel Generators (#044-00088)
- Y Harness - QG2500/2800 Only (#044-00086)
- Y Harness - Other QG Generators (#044-00087)

**Note:** Energy Command controls are compatible with all current generation Cummins Onan generators and have settings for wet cell, Gel and AGM batteries.

# Making RV Living Easier

## Cummins Onan Energy Command Generator Controls

Performance you rely on.™



EC-30 Installed Autostart  
with Enhanced Features



EC-15W Wireless  
Start/Stop



NEW!  
Wireless  
Easy  
Installation

EC-30W  
Wireless  
Autostart

# Cummins Onan

Performance you rely on.™

### Cummins Power Generation

1400 73rd Ave. NE  
Minneapolis, MN 55432  
USA  
Phone 1 763 574 5000  
Toll-free 1 800 888 6626  
Fax 1 763 574 5298  
Email [www.cumminsonan.com/contact](http://www.cumminsonan.com/contact)  
[www.cumminsonan.com](http://www.cumminsonan.com)

Cummins® Onan® and the "C" logo are registered trademarks of Cummins Inc.  
©2008 Cummins Power Generation.  
All Rights Reserved.

# ENERGY COMMAND™

## EC-30W

### Key Features:

- Battery condition monitoring and automatic charging.
- Programmable quiet times.
- The generator automatically starts to support air conditioner operation if a pre-set temperature is exceeded.
- Control module recharges when plugged into outlet.
- Plugged-in control module starts generator when shore power is lost.

Best of all, since it's wireless, attachment of an easily-installed module on your Cummins Onan generator is all that's needed to add these handy features.

**NEW!**  
Wireless  
Easy  
Installation



The EC-30W system is a portable, wireless generator monitoring and autostart system that can be easily added to your RV in just minutes.



## EC-30

### Key Features:

#### Energy Management

- Turns on the generator to meet air conditioning demands.
- Look-ahead battery top-off feature prior to "quiet time".
- Monitors battery levels and provides power to the inverter to charge batteries.
- Computes battery status from historical and anticipated battery performance.
- Anticipates changes in usage to minimize both run time and start/stop cycling for less wear-and-tear on the generator.

#### Service Information

- Displays generator service maintenance reminders and diagnostic text messages for easy troubleshooting.

#### Enhanced Safety

- Safety inhibits automatic generator starting in unsafe conditions

#### Other Features Include:

- Digital generator hour meter
- Start/stop switch with digital readout
- Auto start/stop on low/full battery
- Inputs for up to three air conditioning system start requests
- Built-in memory for all programmable settings
- House battery bank state-of-charge gauge
- House battery bank voltage
- Engine battery bank voltage



Cummins Onan EC-30 Energy Command is a cost effective, full-featured auto generator start system for factory installation.

## EC-15W

### Key Features:

- Remotely starts and stops a generator from up to 100' away
- Easy for any RV owner to install; instructions included
- Works with current remote switches and control panels\*
- Digitally encrypted code ensures remote only starts your generator

\* To use in conjunction with other remote switches, the proper "Y" harness must be separately purchased and installed.

ENERGY COMMAND 15W

The Cummins Onan EC-15W is a cost-effective wireless generator remote control.



CUMMINS ONAN® ENERGY COMMAND™	15W	20	30	30W
<b>Battery Monitoring</b>				
House battery bank state of charge gauge		•	•	
House battery bank voltage		•	•	•
Engine battery bank voltage		•	•	
<b>Generator Monitoring</b>				
Digital generator hour meter		•	•	
Manual start/stop switch	•	•	•	•
Service reminders		•	•	
Diagnostic text messages		•	•	
<b>Automatic Generator Starting Functions</b>				
Programmable "quiet time"			•	•
Look-ahead battery top-off feature prior to "quiet time"			•	
Auto start/stop on low/full battery			•	•
Auto start/stop for up to three air conditioning systems			•	
Auto start on Internal Settable Thermostat				•
Built-in memory for all programmable settings			•	•
<b>Safety Feature</b>				
Safety start inhibit feature			•	•

### Energy Command 15W Specifications

- Operating temp range: -40C to 60C (-40F to 140F)
- Operating voltage range: 8 to 17Vdc
- Max. current through start/stop relays: 4Adc (typically a few mA)
- Nominal current draw: 10mA (12V) 150mA (12Vdc) when button is pressed
- Reverse polarity protected, Short circuit protected=5A standard automotive fuse on input
- RF transmitting frequency range: 305.3-306.3MHz
- Installed transmitter range: ~100ft typical
- Tested to comply with FCC standards
- Estimated transmitter battery life: 2-5 years depending on use
- Security: 1 in 2,000,000 chance of repeating codes
- Number of remotes possible: 4

### Energy Command 30/20 Specifications

- Voltage: 8-35VDC (Suitable for 12V or 24V systems)
- Current: 0.05A @ 12V (With backlight on)
- Start/stop: Switch rated at 1.0 amp
- Control outputs: Rated at 1.0 amp

### Energy Command 30W Specifications

- Operating temp range: -20C to 50C (-4F to 122F)
- Operating voltage range: 2 to 5.5 Vdc
- Nominal current draw: NA
- Reverse polarity protected, short circuit protected
- RF transmitting frequency range: ISM 2.4 GHz
- Installed transmitter range: 150ft. maximum
- Estimated Transmitter battery life: 2-7 days depending on use
- Security: 1in x,xxx,xxx chance of repeating codes