



RV Products
A Division of Airxcel, Inc.
P.O. Box 4020
Wichita, KS 67204

Web: www.rvcomfort@airxcel.com
Support: www.rvsupport@airxcel.com
Sales: www.rvsales@airxcel.com

INSTALLATION AND OPERATING INSTRUCTIONS FOR 8330B331* and 8330B335* MULTIPLE ZONE THERMOSTAT CONTROLLER SYSTEM

* Last digit represents
specific model number



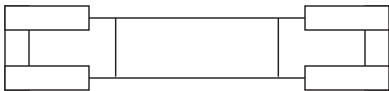
Zone arrangement should be set with the front of the vehicle as zone 1 and progress toward the rear of the coach.

The OEM installed the upper control boxes for the zone system at the factory and programmed the thermostat for the system that is installed in this motor coach. Before programming the thermostat, it is imperative that the programmer knows the types of appliances that have been installed in the motor coach in each zone.

The heating appliance control circuit must not exceed 1 Amp.

FUSE

The thermostat is equipped with a replaceable fast acting 2-Amp fuse located on the base of the thermostat. The fuse is designed to "open" if the appliance is mis-wired or there is a short in the system. If the fuse opens, the cause of the failure must be located and corrected before the fuse is replaced.



CONTROL BOX

The control box mounted in the return air plenum has an opening that allows viewing of the green LED on the control board. The green LED, when lighted, indicates that the control voltage is adequate to run the system. When the LED is not lighted, there is a problem with the 12 Volt DC control voltage and it must be serviced by a trained technician.

The LCD display screen is the main interface between the user and the thermostat. It is located in the upper left of the thermostat. This will display which zone the user is looking at. When the system is first powered up, the thermostat determines how many zones are connected to the system and only displays the zones detected.

The LCD also displays the mode that the particular zone is currently in. These will range from Cool Auto, Cool High, Cool Low, Fan High, Fan Low & Off in cooling, and from Gas Heat, Heat Elec (heat pump or electric strip heat) & Off in heating.

Also, the LCD displays the room temperature and setpoint temperature in the displayed zone. If the word Set is shown above the temperature then the setpoint or desired temperature is shown. If the word Set is not shown, then the temperature shown is the actual room temperature in the displayed zone.

Note:

The thermostat is designed to display temperatures from 41 deg. F. to 103 deg. F. however it will operate from -40 deg. F. to +175 deg. F. If temperature is between -40 deg. F. and 41 deg. F. then 41 will be displayed as the room temperature. Also if the temperature is between 103 deg. F. and 175 deg. F. then 103 will be displayed. When temperature extremes fall outside the operating limits of the thermostat, "Er" will display in the temperature space of the LCD to show that current ambient temperature has exceeded thermostat capabilities. Additionally, if there is a problem with one of the remote temperature sensors, "Er" will display on the thermostat.

Note:

If the system is in cooling and is programmed to have only a heating appliance connected in a zone then the thermostat will still display the room temperature in that zone. But the user will not be able to operate any cooling appliance in that zone because there is not one connected in that zone. Additionally, if the system is in heating and is programmed to have only a cooling appliance connected in a zone then the thermostat will still display the room temperature in that zone, but the user will not be able to operate any heating appliance in that zone because there is not one connected in that zone. Your homeowner packet should contain literature that will list what heating and cooling appliances are installed in each zone of your motor home.

PROGRAMMING THE THERMOSTAT

CAUTION: All zones boards must be wired and should have 12VDC at each one before programming can be done. The system only needs to be programmed once. The programmer must know what appliances are installed in each zone before proceeding with programming. If the system is programmed incorrectly the user will not be able to operate some of the climate control appliances that are installed.

To program each zone for the type of heating and cooling installed, follow the sequence outlined below.

Place the slide switch in the "OFF" position.

Remove the thermostat cover by gently pulling on the left and right sides.

Put the thermostat in the programming mode by holding down simultaneously the up and down push buttons that are located to the right of the LCD until words start flashing on the LCD, which should be about 5 seconds.



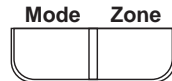
Press the "ZONE" button until zone 1 is displayed on the LCD.

Press the "MODE" button until the correct setup is shown for that zone.

When in the programming mode, the following sequence of options will be toggled through in this sequence:

Mode/Zone Button

The mode/zone button is located on the lower right part of the thermostat. This button allows the user to toggle through the different area zones and the different modes for heating and cooling.



By pressing the zone side of the button the user toggles through each zone. When the system is first powered up, it determines how many zones are in the system and only displays the detected zones.

By pressing the mode side of the button, the user toggles through the different modes for the system. When the slide switch is set to cool, the thermostat will toggle through the following modes: Cool Auto, Cool High, Cool Low, Fan High, Fan Low and Off. When the slide switch is set to heat, the thermostat will toggle through the following modes: Gas Heat, Heat Elec & Off. However, this will only happen if the system has both gas and electric heat in a zone. For instance, if a system only has an air conditioner and a gas furnace in a zone, then when set to heat, the user will only be able to toggle through Gas Heat and OFF because there is not electric heat available. Furthermore, if the system does not have an appliance connected in a zone, then the user will not be able to toggle modes in that zone.

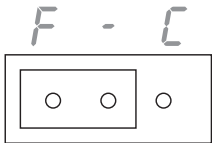
SETTING THE THERMOSTAT

The thermostat default setting for each zone upon initial startup is 78 degrees F. for cooling and 68 degrees F. for heating. The fan speed for the cooling mode is COOL AUTO, which is set to vary the fan speed according to the cooling needs. The fan speed for the heating mode is dependent on the type of heat that is installed for each zone and can not be changed.

NOTE:

The temperature setpoint cannot be adjusted in the following situations: when the slide switch is set to OFF, when the zone is turned off for either heating or cooling mode or when the fan is set to be running continuously in either high or low speed.

6. Move the Fahrenheit/Celsius jumper to the desired setting. The jumper is preset at the factory to Fahrenheit. To change simply pull the jumper and connect it between the center post and either the left post for Fahrenheit or the right post for Celsius. See drawing below.



7. Re-attach thermostat cover to thermostat after fastening thermostat to wall.

SETTING THE UPPER CONTROL BOARD

DANGER: When adjusting the jumpers on the upper unit control board be sure the line Voltage, (115 VAC) and the control Voltage, (12 VDC) are disconnected from the board. Failure to do this could result in injury or death.

Each zone must be controlled by an upper unit control board. When installed, this board is located in the return air plenum of the air conditioner (see installation instructions for the air conditioner control box). When installing the system, the upper unit control board must have two jumpers installed to operate properly. First of all, the zone jumper must be set according to which zone the board is to control. We recommend starting at the front of the coach as zone 1 and progressing towards the rear. If the board is to control zone 1, then the jumper must be across the two jumpers labeled 1 and so on for each zone (see drawing below). The second jumper that must be installed is the HP/NON-HP jumper (see drawing below). This tells the system whether the unit being controlled is a heat pump or not. If the unit being controlled is a heat pump, the jumper must be between the center post and the one closest to the HP. Likewise if the unit being controlled is not a heat pump, then the jumper must be between the center post and the one closest to NON-HP. For further explanation, see installation instructions for the control box.

NOTE:

There is a built-in delay between programming and operation of the new program. (Example: changing fan speed to low from high; it will take approximately 20 seconds until the fan speed is changed.) The thermostat must sit idle for five seconds before the signal is sent to the control board. Then the thermostat will send the signal to the control board in the control box, then the signal is verified before the change is put into operation.

This delay also helps to eliminate “communication noise problems”.

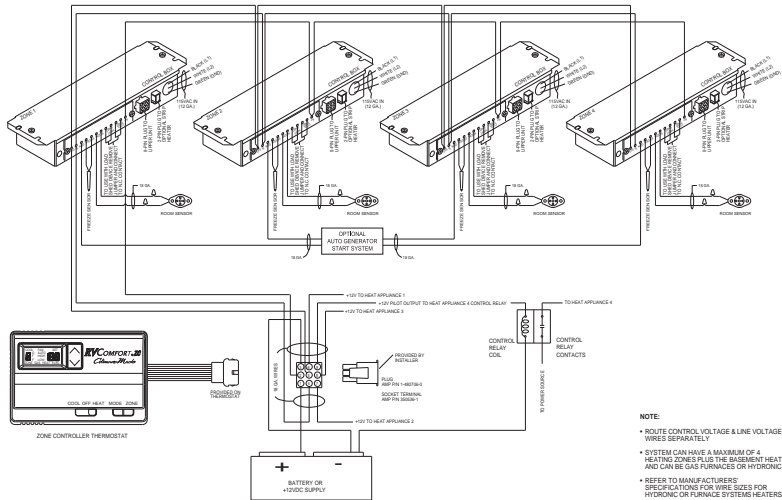
NOTE:

Moving slide switch to OFF position will shut down all unit operations.

The following table lists the operations of the thermostat system in each of the possible settings. The chart shows the operations for all types of appliances possible. All systems will not necessarily have all available options.

The chart below shows the system functions with the 8330B331* and 8330B335* thermostats.

Slide Switch	Mode	Zone	Demand	HP Jumper	Operation of Unit
Off	N/A	N/A	N/A	N/A	LCD is displaying temperature in Zone 1; User can toggle thru zones to see temperature in each zone
Cool	Cool Auto	1	No	N/A	Nothing is operating since there is no cooling demand LCD is displaying temperature in Zone 1
Cool	Cool Auto	1	Yes	N/A	Compressor is energized; If 1 Deg. above setpoint, then Fan Low is energized; If 2+ Deg. above setpoint, then Fan High is energized & locked in on high until the setpoint is satisfied
Cool	Cool High	1	No	N/A	Fan High is energized



Heat Pump Lockout

If the system has both gas heat, (LP furnace or hydronic heat) and electric heat, (electric strip heat or heatpump) appliances installed in the same zone, then the system will automatically switch from Heat Electric to Gas Heat if the electric heat can not satisfy the desired setpoint temperature. Because of the nature of the electric heating systems, they tend to be less effective the lower the outside temperature. Therefore, at low temperatures, your electric strip heat or heatpump may not be able to satisfy the setpoint. The system switches from Heat Elec to Gas Heat when the actual zone room temperature is five degrees or more below the desired setpoint temperature. If this happens three times in a row, the electric heat is locked out for two hours and the gas heat is the primary heat source. When this happens, the LCD will continue to display Elec but the word Gas will flash on the LCD to alert the user that the electric heat source is locked out. See table below for an example of how the heatpump lockout system works.

Example of Electric Heat Operation to call for Backup Heating

Setpoint	Indoor Temp.	Operation
70	70+	Nothing is operating
	69	Electric Heat turns on (Primary Heat Source) ("ELEC" is displaying on T'stat)
	71	Electric Heat turns off (Thermostat satisfied)
	69	Electric Heat turns on ("ELEC" displaying on T'stat)
	65	Gas Heat turns on ("ELEC" is displayed & "GAS" is flashing on T'stat) (Electric Heat unable to satisfy Thermostat) (First strike for backup heat counter)
	71	Electric Heat & Gas Heat turn off (Thermostat satisfied)
	69	Electric Heat turns on ("ELEC" is displaying on T'stat)
	65	Gas Heat turns on ("ELEC" is displayed & "GAS" is flashing on T'stat) (Electric Heat again unable to satisfy T'stat) (Second strike for backup heat counter)

CAUTION!

This thermostat should be installed & programmed by trained technicians only. Adhere to all local and national codes. Disconnect all power to the system before installing, removing, or cleaning.

APPLICATION

The 8330B331* and 8330B335* zone thermostats create a climate control system that allows the operator to control up to four air conditioners or heat pumps and up to four heating sources with only one thermostat.

The thermostat system will operate in both heat and cool modes, but will not allow the user to run simultaneously in heat and cool mode. Depending on the system that has been installed and programmed into the thermostat, each zone can be set up for a combination of the following systems: cool only units, heat/cool units, heat pump units and heating appliances.

This thermostat will work with any RV Products air conditioner that is controlled with an RV Products zone control box.

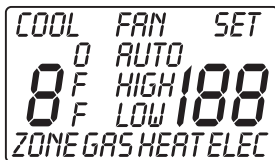
A zone is an area of a motor coach that is climate controlled. This system can control up to four zones in a motor coach.

OPERATION

8330B331* and 8330B335* function identically. The only difference is the color of the thermostat.

DESCRIPTION OF CONTROLS

Liquid Crystal Display (LCD)



Trouble-Shooting Guide

No display on LCD	No power to thermostat (Remove ceiling assembly grille and look in round opening of control box for green LED light. Light not displayed, there is no power to control box). Fuse on thermostat may have opened.
Heat or Cool displays on thermostat, but can't modify settings	Appliances may not be installed on this coach, check homeowners packet
"Er" displaying on thermostat	Current temperature may be outside operating range of thermostat
	External room sensor circuit may be disrupted. Contact service technician
Temperature does not change on thermostat when unit is running	Current temperature may be outside display range of thermostat (Thermostat designed to show 41-103 deg. F.)
Appliances not responding to thermostat setting changes	Zone or appliance settings on upper control boards may not be correct for zones or appliances installed
	Built-in delay for communication signal
Setpoint cannot be adjusted	Check setting of thermostat (Setpoint cannot be adjusted when slide switch is set to OFF, Cool or HEAT mode is set to OFF, the zone is turned OFF, or FAN is set to run HIGH or LOW continuously)
GAS flashing on LCD display	Backup heat source is energized to supplement primary heat
Backup heat source running with Heat Pump idle	Heat pump is unable to keep up with heating demand, system locks out heat pump for 2 hours and backup heat becomes primary heat source for those 2 hours
Two or more units have identical operation	Upper unit control boards may be set to same zone. Have service technician check.
Unit not responding	Communication signal lost to that zone (Signal wire might have vibrated loose). The system locks out operation below 9.75 VDC.

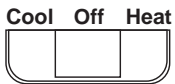
Setpoint Button

The Setpoint button is located just to the right of the LCD display. This button adjusts the desired temperature setpoint up and down. To change the setpoint press the up or down arrow once. This displays the word Set on the LCD and puts the system in the mode to change the setpoint. Then, each press of the up or down arrow changes the setpoint up or down for the displayed zone by one degree per press of the button.

The setpoints are not adjustable when the thermostat is turned off. Also setpoint is not adjustable for the displayed zone when the displayed zone is set to run Fan High or Fan Low in that zone, or if the displayed zone is turned to Off.

The setpoints are stored permanently in memory for each zone in both heating and cooling. This allows the user to switch between heating and cooling at season changes and still have the same settings as the previous year.

Operation Slide Switch

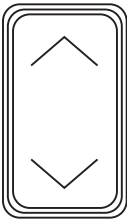


The thermostat operation slide switch is located near the bottom center of the thermostat. This switch slides left and right to put the thermostat into either heating, cooling or off.

The center position is the off position. When the switch is here, the system will not operate any heating or cooling appliances. However, the LCD display will still show the room temperatures in each zone.

When the slide switch is in the far right position, the system is in heating. The heating appliance selected will operate when the zone room temperature is one degree below the desired setpoint temperature. The heating appliance will continue to run until the zone room temperature is one degree above the desired setpoint temperature.

When the slide switch is in the far left position, the system is in cooling. The cooling appliance connected in the particular zone will operate according to the mode the zone is set to.



If these Appliances are Connected			Then Thermostat LCD Display that should be selected is:			
A/C			Cool			
A/C	Gas Heater		Cool	Gas	Heat	
	Gas Heater			Gas	Heat	
A/C	Gas Heater	H/P or Strip Heat	Cool	Gas	Heat	Elec
A/C		H/P or Strip Heat	Cool		Heat	Elec

Toggle through all options, then stop at the desired one. Once the correct setup is selected for zone 1, press the ZONE button and repeat the process for each zone that is connected to the system. After the correct settings are selected for each zone that is hooked up, move the slide switch momentarily to either HEAT or COOL and then back to OFF. This will exit the programming mode and the setup will be stored in memory indefinitely. Replace the thermostat cover.

NOTE: If two or more upper unit control boards have been set to the same zone, the units will operate the same as one another.

GENERAL

Once temperature settings have been set for each zone in heating and cooling, the thermostat memory will retain these settings during seasonal changovers and times of no electrical power.

A connection for an "Auto Generator Start" appliance is included on the upper unit control board that is mounted in the return air of the air conditioner or heat pump. This calls for the generator to run when calling for the compressor for cooling or heating, or when calling for strip heat. Note that the generator will not be called for fan only operation or for gas heat operation.

The thermostat wiring is factory installed by the OEM (original equipment manufacturer). The thermostat connects to the upper unit(s) with a 9-pin plug, (see system wiring diagram). The OEM must supply the 12 VDC wiring and the heating appliance control wiring which connects to the 9-pin plug on the thermostat. RV Products suggests the thermostat wiring be a minimum of 18 gauge.

Set Temperature

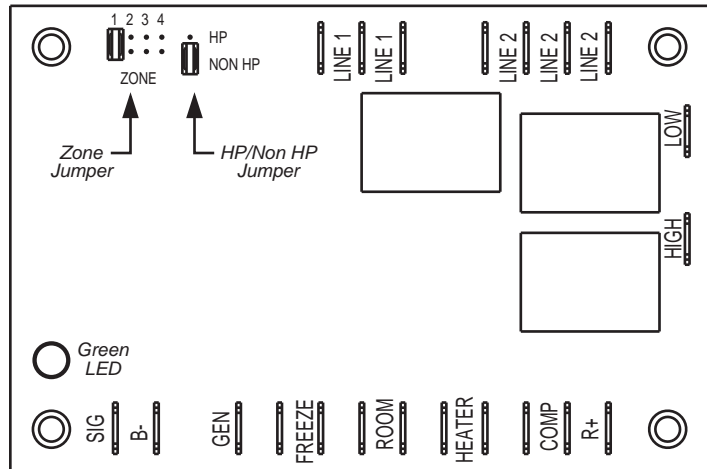
1. Place the slide switch in either the COOL or the HEAT position. The current room temperature for that zone will display.
2. Press either the UP or DOWN arrow once to place the thermostat in the SET mode. At this point the thermostat displays the current setpoint for the displayed zone. (SET will show on the LCD display).
3. Press the appropriate arrow button to change the set point temperature to the desired setting. Each press of the up arrow will increase the setpoint temperature by one degree. Each press of the down arrow will decrease the setpoint temperature by one degree.
4. Pressing ZONE button to toggle to the next zone or letting the thermostat sit idle for a few seconds will store the temperature setting in the thermostat memory.
5. This process should be done for each zone.

Set Fan Speed for Cooling Mode

1. Place the slide switch in the COOL position.
2. Pressing the MODE button will toggle through the available speeds.
 - “COOL AUTO” setting allows the speed to vary depending on the cooling needs which is the default setting.
 - “COOL HIGH” or “COOL LOW” setting will set the fan speed to run continuously at high or low, but the upper unit will cycle when cooling is needed.
 - “FAN HIGH” and “FAN LOW” setting will set the fan to run continuously at high or low speed. The upper unit will not run to produce cooling. Setpoint is not adjustable in this mode.
 - “OFF” will turn the upper unit off for zone displayed. By continuing to press the “MODE” button, you can toggle through the settings for the zone displayed until you have determined the setting you desire. Setpoint is not adjustable in this mode.
3. Once you have established the settings for Zone 1, press the ZONE button to store settings in thermostat memory and proceed to the next zone. Repeat steps for each zone.

The green LED lights when there is adequate control voltage, (12VDC) at the board. The green LED will initially flash the number of times corresponding to the zone jumper setting. The green LED will stop flashing when communication with the thermostat is established.

For further explanation, see troubleshooting section of manual.



Slide Switch	Mode	Zone	Demand	HP Jumper	Operation of Unit
Cool	Cool High	1	Yes	N/A	Compressor is energized; Fan High is energized
Cool	Cool Low	1	No	N/A	Fan Low is energized
Cool	Cool Low	1	Yes	N/A	Compressor is energized; Fan Low is energized
Cool	Fan High	1	N/A	N/A	Fan High is energized**
Cool	Fan Low	1	N/A	N/A	Fan Low is energized**
Cool	Off	1	N/A	N/A	This turns off cooling appliances operating in Zone 1**
Heat	Elec	1	No	Non HP	Nothing is operating in this mode since there is no heating demand
Heat	Elec	1	Yes	Non HP	Fan Low is energized; Strip Heat is energized System uses backup heat if necessary
Heat	Elec	1	No	HP	Nothing is operating in this mode since there is no heating demand
Heat	Elec	1	Yes	HP	Compressor & Reversing Valve are energized; Fan High is energized System uses backup heat if necessary
Heat	Gas	1	No	N/A	Nothing is operating in this mode since there is no heating demand
Heat	Gas	1	Yes	N/A	Thermostat output to gas heating device energized
Heat	Off	1	N/A	N/A	This turns off heating appliances operating in Zone 1**

Notes: Operation same for Zone 2, 3, & 4

** Setpoint is not adjustable in this mode.

THERMOSTAT AND ROOM TEMPERATURE SENSOR LOCATION

This system is designed to work one of two ways. A built-in temperature sensor on the thermostat can control zone 1. In this case the thermostat must be located in zone 1. On the other hand, a remote temperature sensor can be connected to zone 1. This situation would allow the thermostat to be located virtually anywhere in the coach as long as the user can get to it to operate it. Every zone other than zone 1 must always have a remote temperature sensor to control the system.

This thermostat is a sensitive instrument. For accurate temperature control and comfort, the following considerations should be taken into account when locating both remote sensors and the thermostat if the thermostat is to be used as the zone 1 temperature sensor.

1. Locate on an inside wall about five feet above the floor. Pick a dry area where air circulation is good, but not in line with exterior doors.
2. Do not install where there are unusual heating conditions; Such as direct sunlight, heat producing appliances (television, radio, wall lamps, etc.) or a furnace/air conditioner supply air register.

ATTACHING THE WALL THERMOSTAT AND ROOM TEMPERATURE SENSORS

1. Attach the external room sensor to the wall using 2-#6 x 3/4 screws.
2. The external room sensor is wired to the two terminals marked "ROOM" on the control box low voltage strip.
3. Separate the thermostat cover from the base by gently pulling on the left and right sides.
4. Connect motor coach wiring harness to thermostat wire plug lead.
5. Attach the new thermostat base to the wall at the desired mounting location using 2-#6 x 3/4 screws.

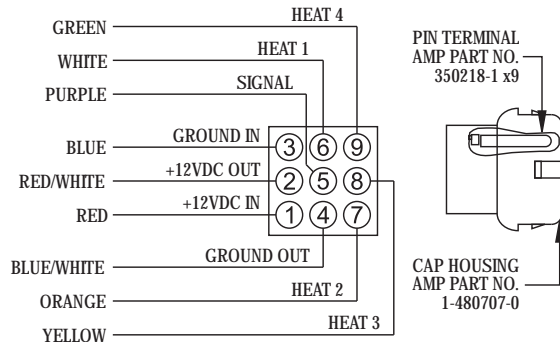
Set point	Indoor Temp.	Operation
	71	Electric Heat and Gas Heat turn off (Thermostat satisfied)
	69	Electric Heat turns on ("ELEC" is displaying on T'stat)
	65	Gas Heat turns on (Electric Heat is again unable to satisfy T'stat) ("ELEC" is displaying & "GAS" is flashing on T'stat) (Backup Heat Counter reaches 3rd strike and Electric Heat is locked out for 2 hours) any time Electric Heat runs for more than 20 minutes & does not call for backup heat then the backup heat counter is reset
	71	Gas Heat turns off (Thermostat satisfied)
	69	Gas Heat turns on (Becomes Primary heat source) ("ELEC" is displaying & "GAS" is flashing on T'stat)
	71	Gas Heat turns off (Thermostat satisfied)
		After 2 hour lockout
	69	Electric Heat turns on (Resumes as Primary heat source) ("ELEC" is displayed on T'stat)
	65	Gas Heat turns on (Becomes Primary heat source) ("ELEC" is displaying & "GAS" is flashing on T'stat) (Electric Heat is locked out for another 2 hours)
	71	Gas Heat turns off (Thermostat satisfied)
		After 2 hour lockout
	69	Electric Heat turns on (Resumes as Primary Heat source) ("ELEC" is displayed on T'stat)
	71	Electric Heat turns off (Thermostat satisfied) (Backup heat counter is reset any time Electric Heat satisfies Thermostat Setpoint & does not need backup Gas Heat)

Note: "ELEC" will be displayed & "GAS" will flash when Backup Heat is operating to indicate to the user that they are using Backup heat

INSTALLATION

WIRING THE SYSTEM

OEM must supply these mating parts to connect these thermostats as shown below. A minimum wire size of AWG 18 must be used for this system. Check with appliance manufacturers for exact wire size needed for each appliance.



For system wiring see diagram on following page.